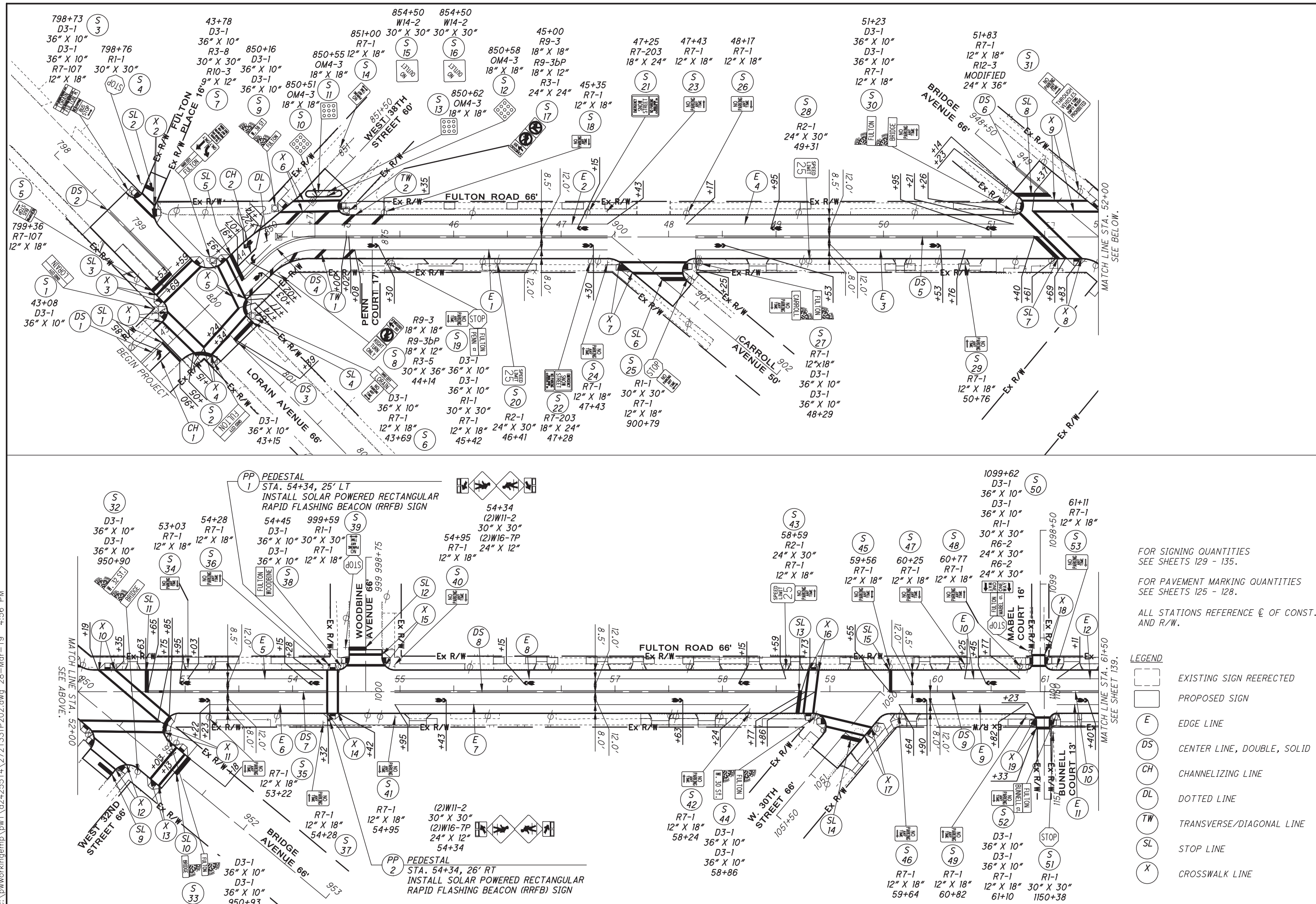


c:\pwworking\p1\42425514\2721331P202.dwg 28-Mar-19 4:56 PM



PROPOSED SIGNING & PAVEMENT MARKING PLAN
BEGIN TO STA. 61+50

FULTON ROAD
 138
 151

FOR SIGNING QUANTITIES
 SEE SHEETS 129 - 135.

FOR PAVEMENT MARKING QUANTITIES
 SEE SHEETS 125 - 128.

ALL STATIONS REFERENCE @ OF CONST.
 AND R/W.

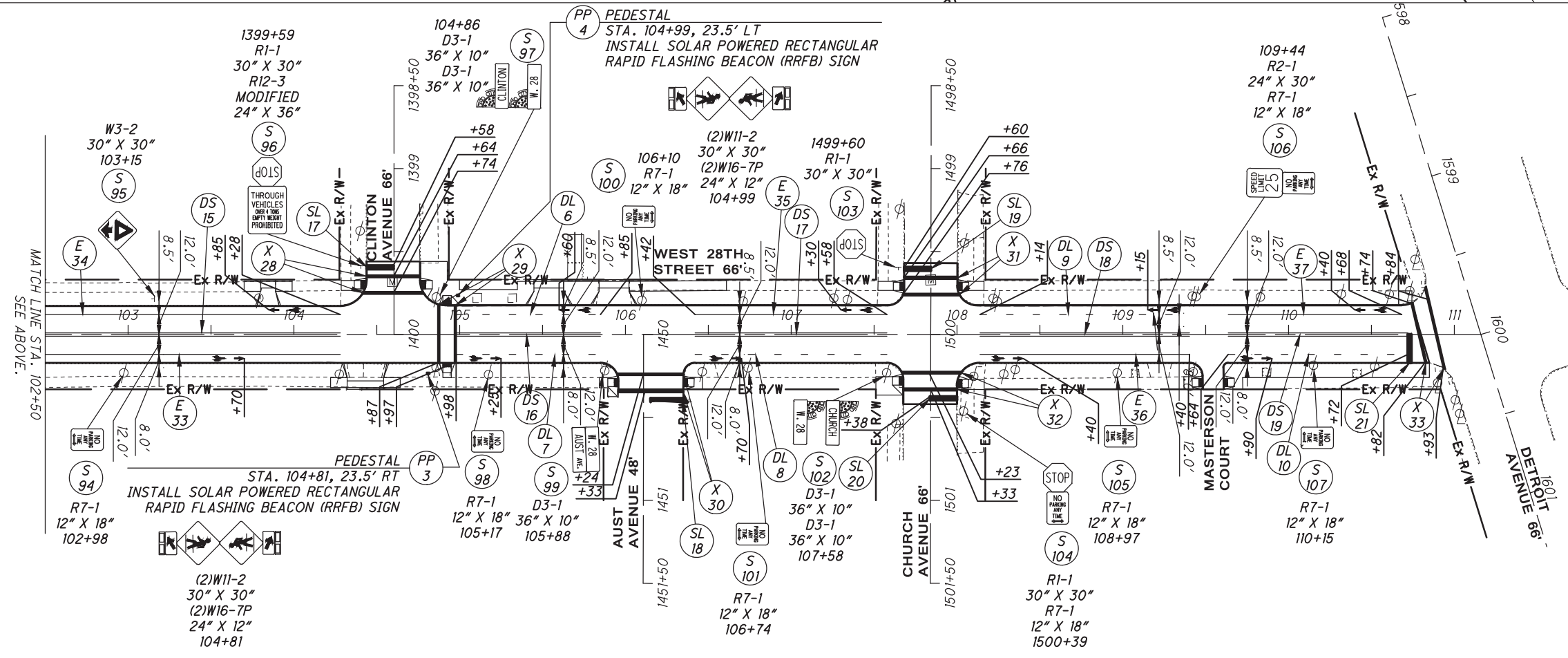
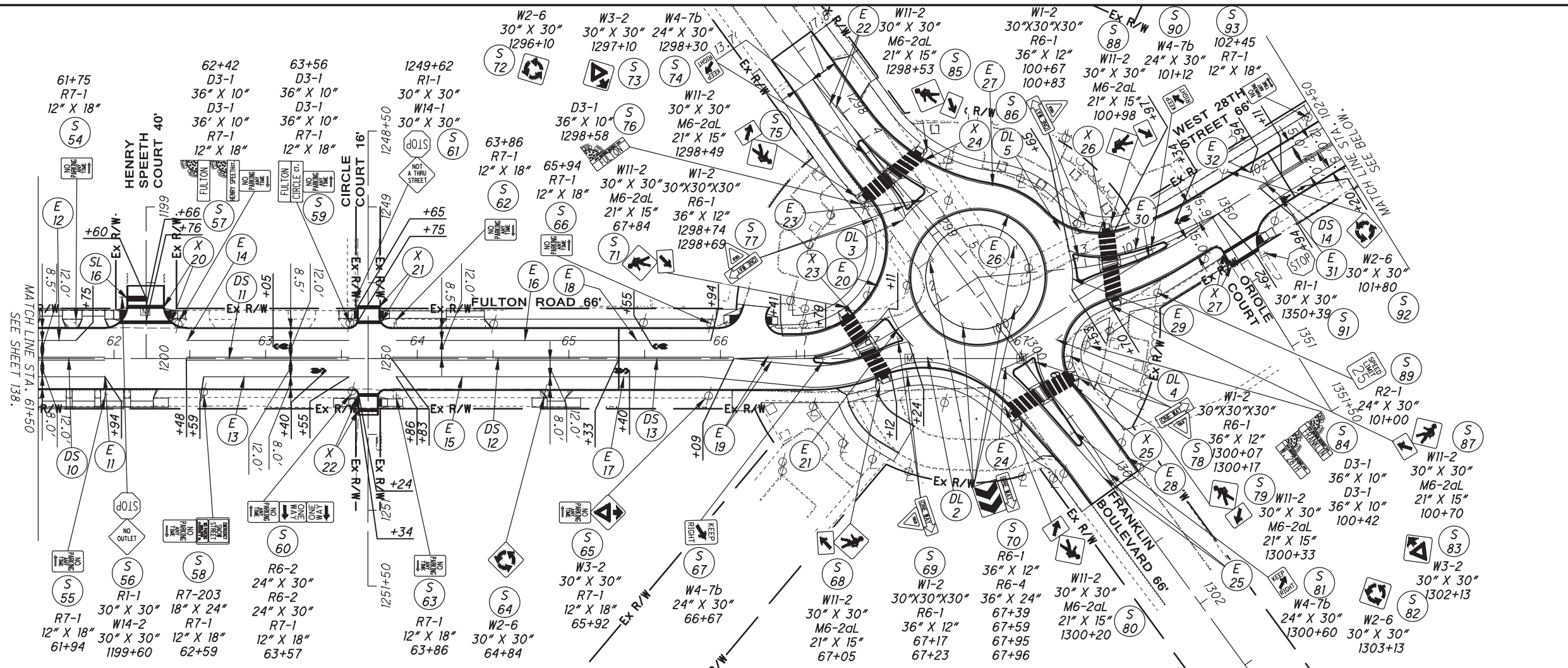
- LEGEND**
- EXISTING SIGN REERECTED
 - PROPOSED SIGN
 - EDGE LINE
 - CENTER LINE, DOUBLE, SOLID
 - CHANNELIZING LINE
 - DOTTED LINE
 - TRANSVERSE/DIAGONAL LINE
 - STOP LINE
 - CROSSWALK LINE

MATCH LINE STA. 52+00
 SEE BELOW.

MATCH LINE STA. 61+50
 SEE SHEET 139.

PP 1 PEDESTAL
 STA. 54+34, 25' LT
 INSTALL SOLAR POWERED RECTANGULAR
 RAPID FLASHING BEACON (RRFB) SIGN

PP 2 PEDESTAL
 STA. 54+34, 26' RT
 INSTALL SOLAR POWERED RECTANGULAR
 RAPID FLASHING BEACON (RRFB) SIGN



FOR SIGNING QUANTITIES
SEE SHEETS 129 - 135.

FOR PAVEMENT MARKING QUANTITIES
SEE SHEETS 125 - 128.

ALL STATIONS REFERENCE @ OF CONST.
AND R/W.

LEGEND

	EXISTING SIGN REERECTED
	PROPOSED SIGN
	EDGE LINE
	CENTER LINE, DOUBLE, SOLID
	CHANNELIZING LINE
	DOTTED LINE
	TRANSVERSE/DIAGONAL LINE
	STOP LINE
	CROSSWALK LINE